



RL-G70

PARTS LIST

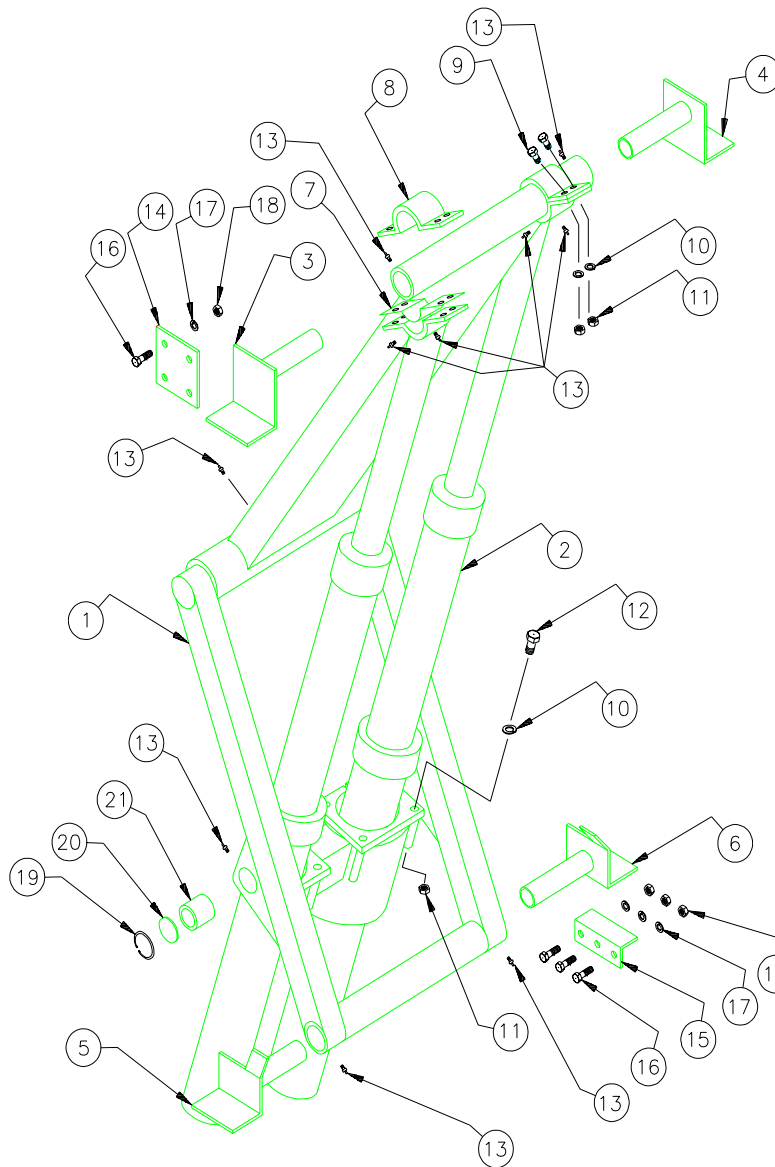
Hoist Serial number 2485 to _____

IF YOUR HOIST DOES NOT FALL WITHIN THE SERIAL NUMBER BREAKS,
YOU WILL NEED TO CONTACT HARSH TO GET THE APPROPRIATE MANUAL

Harsh International, Inc.
600 Oak Avenue
Eaton, CO 80615
(970) 454-2291
Fax: (970) 454-3491

Price: \$2.50

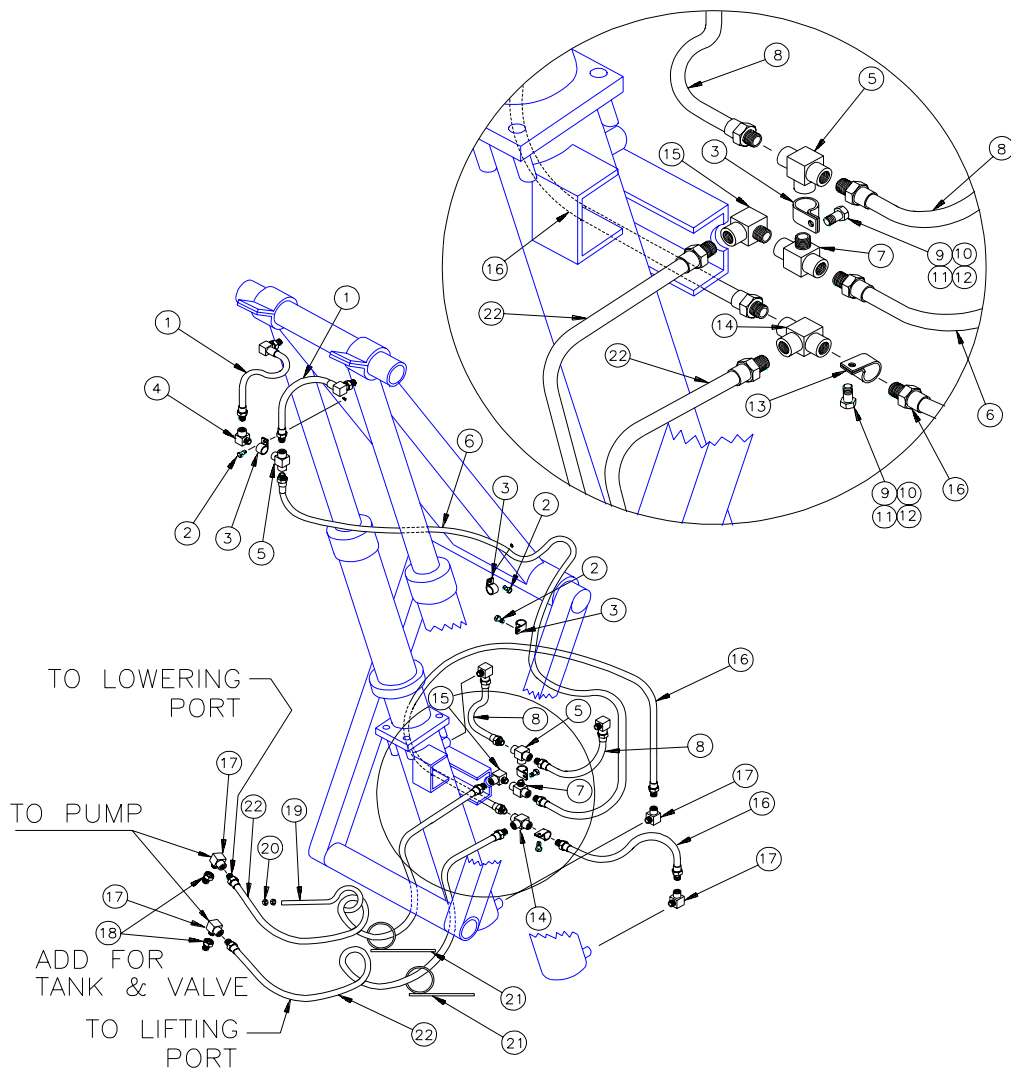
Parts book number: **102693E**



G70 HOIST SCISSOR ASSEMBLY

ITEM	PART #	QTY	DESCRIPTION	ITEM	PART #	QTY	DESCRIPTION
1	A16400	1	SCISSOR ASSEMBLY	12	100545	8	SCREW, HEX HD CAP
*2	A1214	2	CYLINDER ASSEMBLY	13	100037	11	GREASE ZERK, DRIVE-IN
3	A11164-1	1	UPPER MOUNT	14	11126	2	STRINGER ATTACHMENT PLATE
4	A11164-2	1	UPPER MOUNT	15	11127	2	ANGLE, FRAME ATTACHMENT
5	A11172-1	1	LOWER MOUNT	16	100230	14	SCREW, HEX HD CAP
6	A11172-2	1	LOWER MOUNT	17	100272	14	WASHER, LOCK
7	12907	2	BUSHING, BRASS	18	100250	14	NUT, HEX
8	18631	2	CYLINDER TOP MOUNT	19	100147	2	SNAP RING
9	100240	8	SCREW, HEX HD CAP	20	15886	2	PLATE, GREASE RETAINING
10	100271	16	WASHER, LOCK	21	15862	2	BUSHING
11	100254	16	NUT, HEX	*22	A9778	1	DECAL KIT

NOTE: *2 - A1214 INCLUDES CYLINDER ASSY, CYLINDER TOP MOUNT, BRASS BUSHING, SCREWS
LOCK WASHERS AND NUTS.
*22 - A9778 INCLUDES ALL DECALS USED ON HOIST.
SOME HOISTS MAY HAVE SELF TAPPING ZERKS IN VARIOUS LOCATIONS.

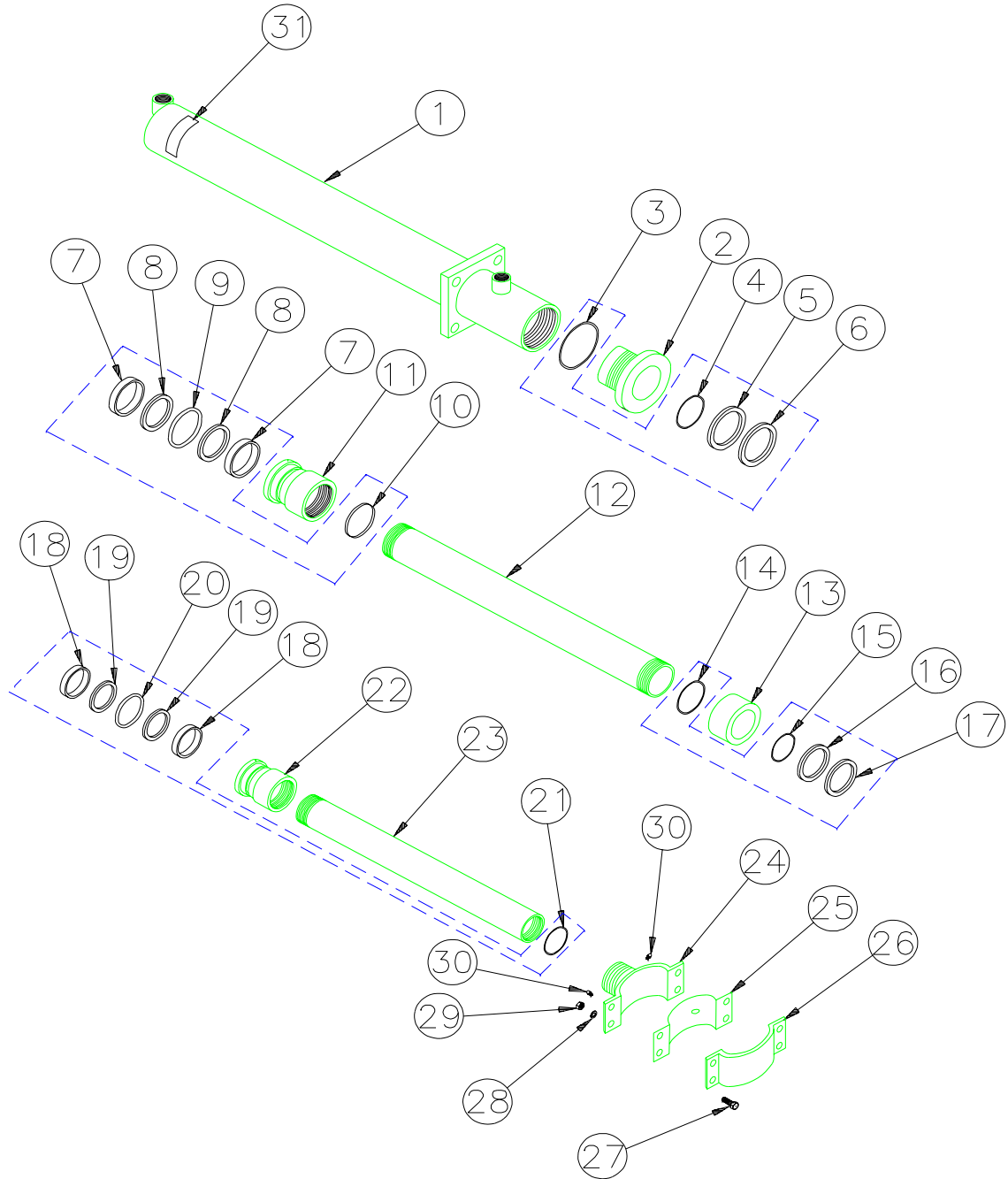


G70 HOIST HOSE ASSEMBLY

ITEM	PART #	QTY	DESCRIPTION	ITEM	PART #	QTY	DESCRIPTION
1	100933	2	HOSE ASSEMBLY	12	100221	2	NUT, HEX
2	100544	3	SCREW, HEX HD SELF TAP	13	100935	1	HOSE CLAMP, 13/16 ID
3	100547	4	HOSE CLAMP, 11/16 ID	14	100010	1	TEE
4	100531	1	ELBOW	15	100527	1	ELBOW
5	100526	2	TEE	16	100931	2	HOSE ASSEMBLY
6	100932	1	HOSE ASSEMBLY	*17	100451	4	ELBOW
7	100934	1	TEE	*18	100015	2	BUSHING, 3/8 TO 1/2
8	100930	2	HOSE ASSEMBLY	*19	100563	1	EYE BOLT
9	100109	2	SCREW, RD HD	*20	100254	2	NUT, HEX
10	100304	2	WASHER, LOCK	*21	A11166	2	HOSE SUPPORT
11	100443	2	WASHER, FLAT	22	100540	2	HOSE ASSEMBLY

NOTE: *17 - FOR PUMP USE 100451.
 *18 - FOR TANK & VALVE ADD BUSHINGS (100015) TO ELBOW (100451) BEFORE CONNECTING TO VALVE.
 *19,20,21 - USED TO SUPPORT ITEM #22 (100540) HOSE ASSEMBLY TO CHASSIS.

**G70 HOIST
CYLINDER PARTS**

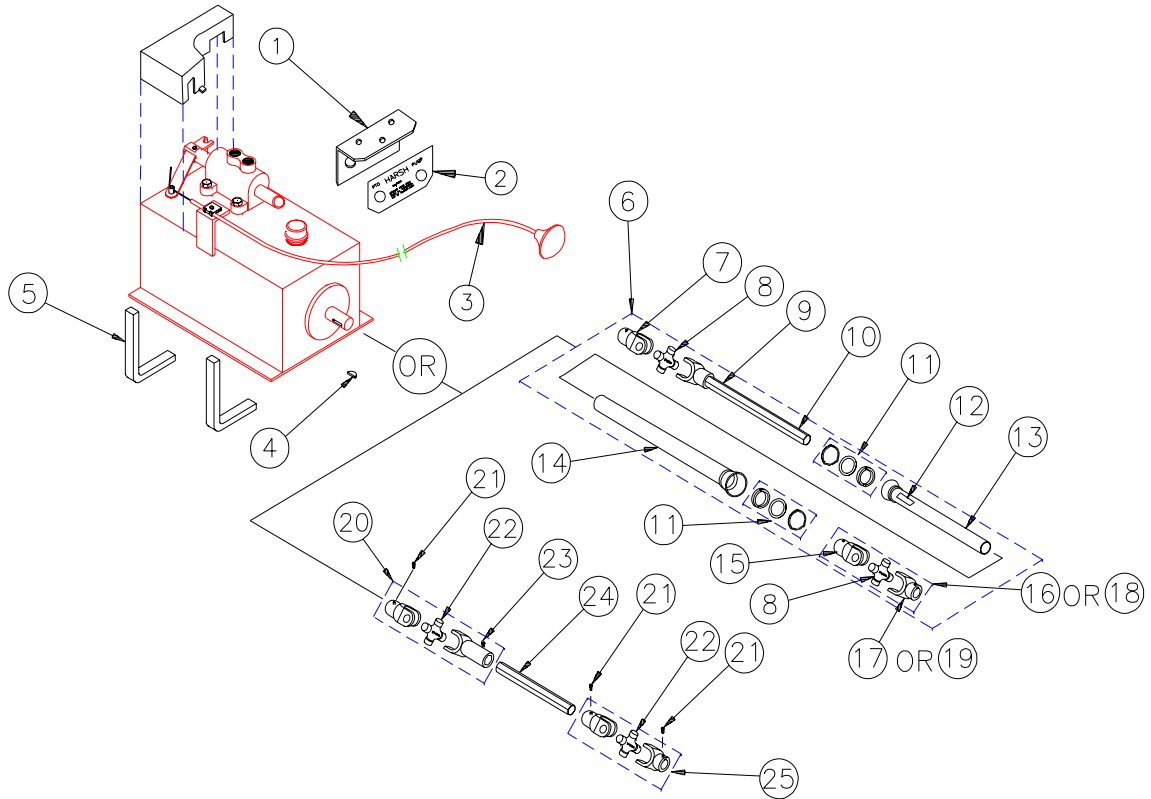


**G70 HOIST
CYLINDER PARTS LIST**

ITEM	PART #	QTY	DESCRIPTION	ITEM	PART #	QTY	DESCRIPTION
*	A1214	2	CYLINDER ASSEMBLY (COMPLETE)		A9230	1	SEAL KIT
1	A11169	1	CYLINDER BODY	*18	100566	2	WEAR RING
2	11152	1	GLAND NUT	*19	100620	2	BACK-UP RING
	A9114	1	SEAL KIT	*20	100155	1	O-RING
*3	101344	1	O-RING	*21	100519	1	O-RING
*4	100158	1	O-RING	22	11145	1	PISTON
*5	100604	1	BACK-UP RING	23	11153	1	TUBE, CYLINDER (SECOND STAGE)
*6	100384	1	WIPER RING	24	A11161	1	CYLINDER MOUNT
	A9228	1	SEAL KIT	25	12907	1	BUSHING, BRASS
*7	100567	2	WEAR RING	26	18631	1	CYLINDER TOP MOUNT
*8	100621	2	BACK-UP RING	27	100240	4	SCREW, HEX HD CAP
*9	100159	1	O-RING	28	100271	4	WASHER, LOCK
*10	100520	1	O-RING	29	100254	4	NUT, HEX
11	11151	1	PISTON	30	100037	2	GREASE ZERK
12	11160	1	TUBE, CYLINDER (FIRST STAGE)	31	101045	1	DECAL, MAX CYL PRESS 3300PSI
13	11144	1	GLAND NUT				
	A9229	1	SEAL KIT				
*14	100191	1	O-RING				
*15	100445	1	O-RING				
*16	100619	1	BACK-UP RING				
*17	100137	1	WIPER RING				

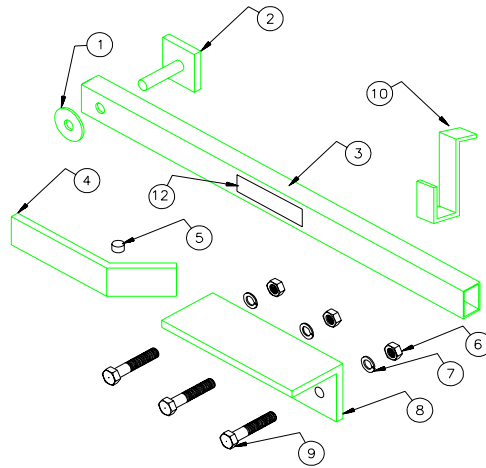
NOTE: * - A1214 INCLUDES CYLINDER ASSY, CYLINDER TOP MOUNT, BRASS BUSHING, SCREWS
LOCKWASHERS AND NUTS
*3-6 - NOT SOLD SEPARATELY, SOLD AS SEAL KIT #A9114 ONLY.
*7-10 - NOT SOLD SEPARATELY, SOLD AS SEAL KIT #A9228 ONLY.
*14-17 - NOT SOLD SEPARATELY, SOLD AS SEAL KIT #A9229 ONLY.
*18-22 - NOT SOLD SEPARATELY, SOLD AS SEAL KIT #A9230 ONLY

PTO SHAFT AND PUMP ACCESSORIES



ITEM	PART #	QTY	DESCRIPTION	ITEM	PART #	QTY	DESCRIPTION
	A12261	1	CONTROL CABLE ASSEMBLY	14	9794	1	SHIELD, INNER
*1	12258	1	BRACKET, CONTROL CABLE	15	9796	1	YOKE, SLIP 7/8 HEX BORE
*2	101117	1	DECAL, CONTROL CABLE BRACKET	*16	102944	1	U-JOINT ASSY, 7/8 HEX-1 1/4 RND BORE
*3	A1075	1	CONTROL CABLE ASSY, 15 FT	*17	9799	1	YOKE, PTO 1 1/4 RND BORE
4	4451	1	KEY, WOODRUFF	*18	103000	1	U-JOINT ASSY, 7/8 HEX-7/8 RND BORE
5	12890	2	PUMP BRACKET	*19	9798	1	YOKE, PTO 7/8 RND BORE
*6	102942	1	DRIVE SHAFT, 7/8	20	100477	1	U-JOINT ASSY, SLIP
7	9802	1	YOKE, PUMP 1 RND BORE	21	100242	3	SET SCREW
8	9788	2	CROSS & BEARING KIT	22	4450	2	CROSS, U-JOINT
9	9801	1	DECAL, DANGER (SHAFT)	23	100218	1	ZERK
10	A9841	1	YOKE & SHAFT ASSY	24	11239	1	DRIVE SHAFT, 7/8 HEX
11	9795	2	KIT, BEARING SHIELD	25	100227	1	U-JOINT ASSY
12	9800	1	DECAL, DANGER (OUTSIDE SHIELD)	*26	100896	1	DECAL, HOIST OPER-PTO PUMP
13	9793	1	SHIELD, OUTER				

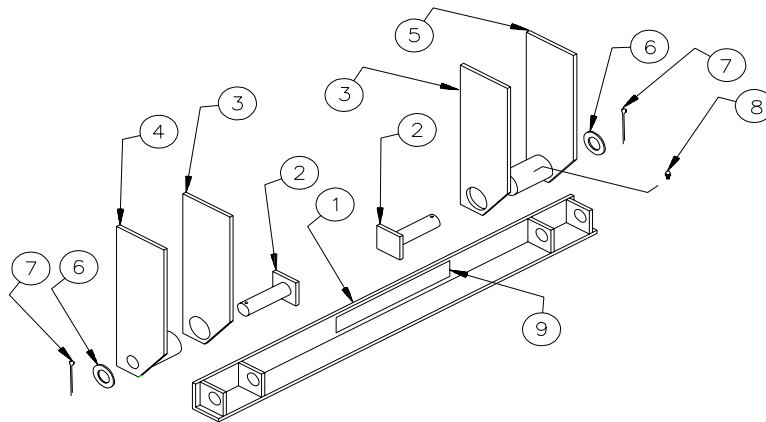
NOTE: *1,*2,*3 - INCLUDED IN ASSEMBLY A12261.
 *2 - APPLY DECAL #101117 TO BRACKET #12258.
 *6 - INCLUDES ITEMS #7 THROUGH #19.
 *16 OR *18 - USE EITHER #102944 (1 1/4 RND BORE) OR 103000 (7/8 RND BORE).
 *17 OR *19 - USE EITHER #9798 OR #9799.
 *26 - APPLY DECAL #100896 ON DASHBOARD AS NEAR AS POSSIBLE TO HOIST CONTROLS.



**G70 HOIST
SAFETY PROP PARTS LIST**

ITEM	PART #	QTY	DESCRIPTION	ITEM	PART #	QTY	DESCRIPTION
	A1387	1	SAFETY PROP ASSEMBLY	7	100272	3	WASHER, LOCK
1	101123	1	WASHER, FLAT	8	12251	1	BOTTOM ANGLE
2	A12245	1	PIN PLATE ASSEMBLY	9	100230	3	SCREW, HEX HD CAP
3	12243	1	SAFETY BOX PROP	10	12256	1	BRACKET, LATCHING
4	12249	1	SIDE PLATE	*11	101101	2	DECAL, BOX PROP (10 x 4 3/4)
5	12248	1	STOP PEG	12	101102	1	DECAL, BOX PROP (9 1/4 x 1 1/2)
6	100250	3	NUT, HEX				

NOTE: *11 - APPLY ON OUTSIDE RUB RAIL IN AREA OF THE SERVICE SAFETY PROP. ONE DECAL ON EACH SIDE OF BOX.



**G70 HOIST
TAIL HINGE PARTS LIST**

ITEM	PART #	QTY	DESCRIPTION	ITEM	PART #	QTY	DESCRIPTION
	A1281	1	TAIL HINGE ASSEMBLY	5	A10138-2	1	VERTICAL PLATE ASSY
1	A10141	1	TAIL HINGE ANGLE ASSY	6	101071	2	WASHER, FLAT
2	A10137	2	PIN ASSY	7	101076	2	COTTER PIN, 2 1/2 LG.
3	10139	2	VERTICAL PLATE	8	100037	2	GREASE ZERK
4	A10138-1	1	VERTICAL PLATE ASSY	9	100974	1	DECAL, TAIL HINGE